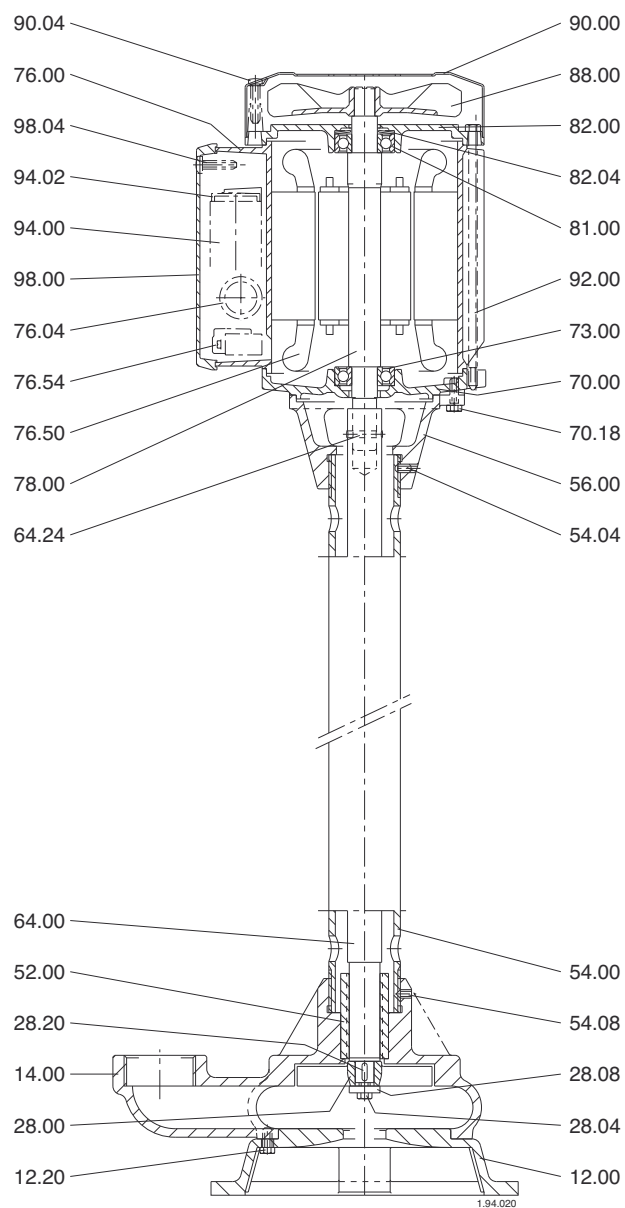
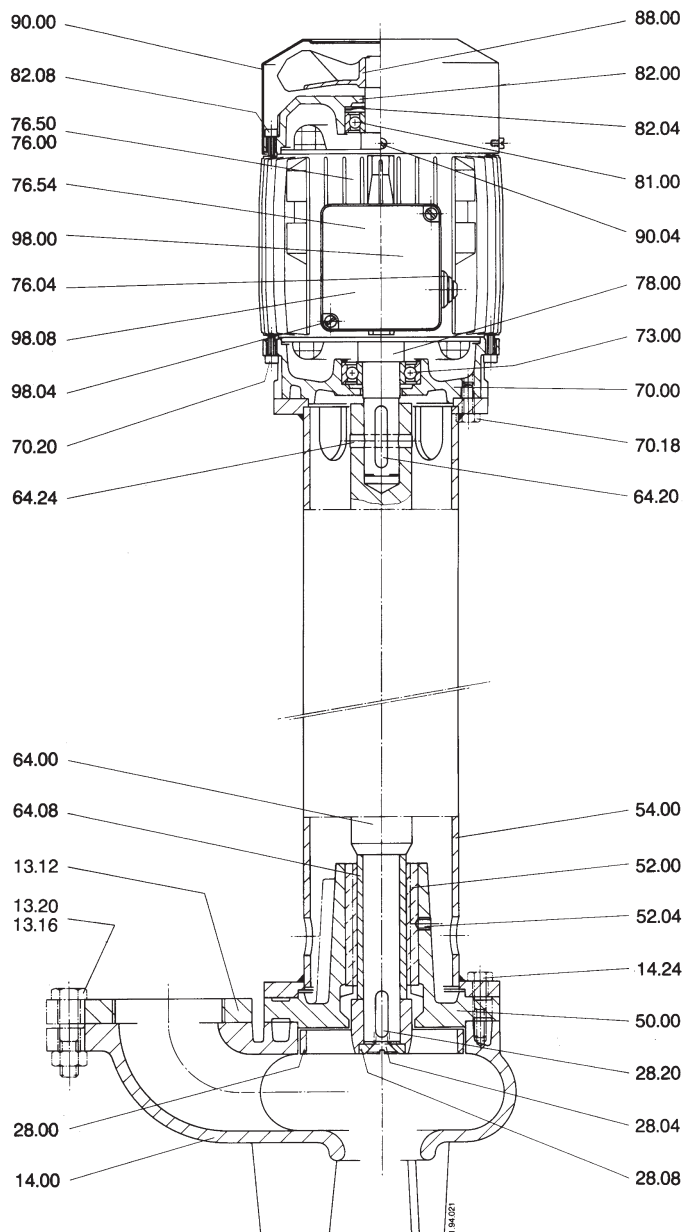


VAL 30/750E
VAL 30/1000E



| | |
|--------------|----------------|
| VAL 65/1000E | VAL 65/1000-RE |
| VAL 65/1500E | VAL 65/1500-RE |
| VAL 65/2000E | VAL 65/2000-RE |
| VAL 65/2500E | VAL 65/2500-RE |



| | |
|-------------|-------------|
| SC 30/500E | SC 50/500E |
| SC 30/750E | SC 50/750E |
| SC 30/1000E | SC 50/1000E |
| SC 30/1250E | SC 50/1250E |

